

HiPace® 1200

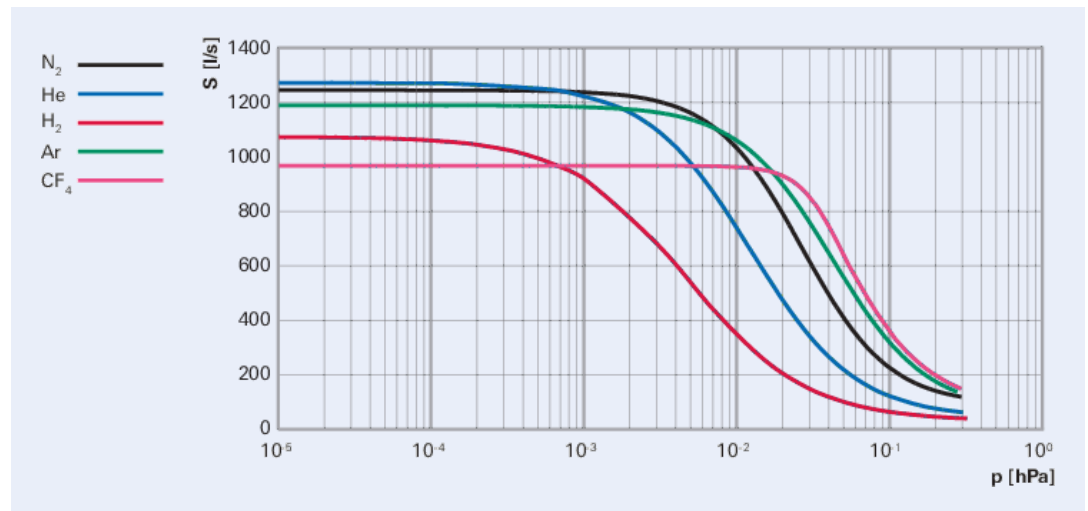


Illustration only

HiPace® 1200 with TC 1200, DN 200 ISO-K, G 1/8"

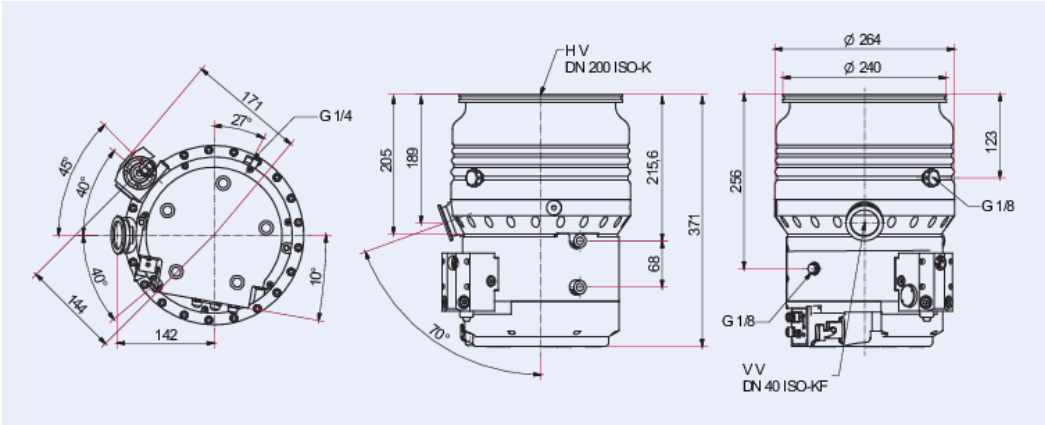
- Powerful turbopump with a pumping speed of up to 1250 l/s for N₂
- DN 200 ISO-K flange
- Integrated electronic drive TC 1200 with power supply pack
- Cooling method: Water cooling
- Integrated sealing gas system with electric sealing gas valve 24 V DC
- Protection Class: IP54
- Interfaces: RS-485, Remote (Profibus/DeviceNet on request)
- Extensive accessories expand the range of applications

Characteristics



HiPace® 1200

Dimensions



HiPace® 1200

Technical Data	HiPace® 1200 with TC 1200, DN 200 ISO-K, G 1/8"
Connection flange (out)	DN 40 ISO-KF
Connection flange (in)	DN 200 ISO-K
Electronic drive unit	TC 1200
Type of electronic drive unit installation	Integrated electronic drive unit
Rotation speed $\pm 2\%$	37,800 rpm
Rotation speed variable	50 – 100 %
I/O interfaces	RS-485, Remote
Mounting orientation	0° (HV flange top) – 90°
Input voltage(s)	100 – 120 / 200 – 240 V AC ($\pm 10\%$), 50/60 Hz
Gas throughput at full rotational speed for Ar	11 hPa·l/s
Gas throughput at full rotational speed for H ₂	>30 hPa·l/s
Gas throughput at full rotational speed for He	>30 hPa·l/s
Gas throughput at full rotational speed for N ₂	20 hPa·l/s
Weight	29.5 kg
Run-up time	2.5 min
Integral leakage rate	$1 \cdot 10^{-8}$ Pa m ³ /s
Compression ratio for Ar	$1 \cdot 10^8$
Compression ratio for H ₂	$6 \cdot 10^3$
Compression ratio for He	$6 \cdot 10^4$
Compression ratio for N ₂	$1 \cdot 10^8$
Cooling method	Water
Bearing	Hybrid
Power consumption max.	1,350 VA
Mains frequency compatibility	50 Hz 60 Hz
Position of power supply pack	Integrated power supply pack
Particle intake	Yes
Pumping speed for Ar	1,200 l/s
Pumping speed for H ₂	1,100 l/s
Pumping speed for He	1,300 l/s
Pumping speed for N ₂	1,250 l/s
Sound pressure level	50 dB(A)
Protection degree	IP54
Current max.	10 A
Fore-vacuum max. for N ₂	2 hPa
Permissible radial magnetic field max.	6 mT

HiPace® 1200

Emission sound pressure level (EN ISO 2151) level 1	50 dB(A)
Final pressure according to PNEUROP	$1 \cdot 10^{-7}$ hPa $7.5 \cdot 10^{-8}$ Torr $1 \cdot 10^{-7}$ mbar

Order number	HiPace® 1200 with TC 1200, DN 200 ISO-K, G 1/8"
HiPace® 1200 with TC 1200, DN 200 ISO-K, G 1/8"	PM P06 000



Errors and/or changes excepted. - 9/30/2025

Are you looking for an optimum vacuum solution?

**Talk to us:
Pfeiffer Vacuum GmbH
Germany
T +49 6441 802-0**

Or scan the barcode, to visit our web page:



<https://webportal.pfeiffer-vacuum.com/global/en/contact>

**Follow Us On Social Media
#pfeiffervacuum**



www.pfeiffer-vacuum.com

PFEIFFER 